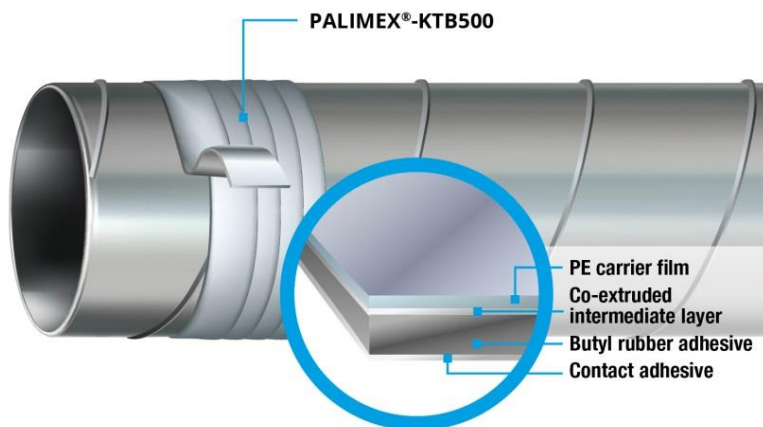


# PALIMEX®-KTB 500

## Product Information



### Special Advantages:



≤ 75°C

For temperatures up to +75°C (+167°F).



Reliable sealing at up to 3500 Pa overpressure.



Highly stable PE carrier film, silicon-free and solvent-free.



Fire rating 2, non-drip.



UV-stabilized.



Suited to visible installation, due to appealing silver-grey appearance.

## Co-extruded, 2-ply butyl rubber tape (cold-shrink tape) for use in sealing ventilation pipes.

DEKOTEC GmbH stands for experience, quality and reliability in the field of corrosion prevention and sealing technology. The success is based on the development of the Petrolatum-Tape which was already developed in 1927 as the first product worldwide for passive corrosion prevention of pipelines. We establish and guarantee the highest quality standards with technically trend-setting products. Research, development and production take place exclusively in Germany. Our employees are continuously implementing safe and individual solutions in a personal cooperation with the customer.

### Product Description

**PALIMEX®-KTB 500** is a genuine co-extruded 2-ply sealing tape with a butyl rubber coating on a polyethylene carrier layer.

As an installation aid, PALIMEX®-KTB 500 is equipped with a pressure-sensitive adhesive coating that ensures a quick and reliable bond to many substrates such as PVC, PE, steel and galvanized sheeting.

PALIMEX®-KTB 500 is also characterized by outstanding tape

stability and a very large application temperature range.

On account of these characteristics, PALIMEX®-KTB 500 is ideally suited for sealing work in HVAC applications, both in new construction projects and for retroactive sealing work.

Unlike many standard adhesive tapes, PALIMEX®-KTB 500 is installed with a pre-stretch of about 10%. The subsequent elastic recovery of the tape causes the

tape to wrap itself tightly around the butt joint to be sealed, causing the formation of an airtight joint with no folds.

Due to its silver-gray appearance, PALIMEX®-KTB 500 is camouflaged in the metallic color of the ventilation pipes, which also makes it ideally suited for visible installations. Reducers, screw fittings and pipe junctions can also be wrapped without any folds.

## Processing

When sealing butt joints, prepared tape lengths can be used as specified in the table. For visible installations, avoid locating the

tape start directly in the field of view. Pre-stretch **PALIMEX®-KTB 500** by about 10% and apply to the dry pipe surface.

For a single-layer wrap, give the tape at least a 10 cm overlap and ensure it is unstressed before pressing into place.

Pipe diameter	Recommended tape width [mm]	Precut length [mm]
80	50	370
100	50	430
125	50	500
150	50	560
160	50	600
200	50	715
250	50	875
300	50	1025
315	50	1075
355	50	1200
400	50	1340
500	50	1655
560	75	1900
600	75	2050
630	75	2150
710	75	2350
800	75	2750
900	75	3050
1000	75	3350
1250	75	4150
1400	75	4650

## Typical product properties

Property	Unit	Typical value	Test method
Tape thickness	mm	≥ 0.45	-
Carrier film thickness	mm	≥ 0.10	-
Butyl rubber coating thickness	mm	≥ 0.30	-
Pressure-sensitive adhesive thickness	mm	≥ 0.05	-
Tear resistance	N/cm	≥ 20	DIN 30672
Elongation after fracture	%	≥ 150	DIN 30672
Building material class	-	B2 (normally inflammable)	DIN 4102-1
Fire rating	-	E (normally inflammable, non-drip)	EN ISO 11925-2
Application temperature	°C (°F)	-5 to +50 (+41 to +122)	-
Operating temperature	°C (°F)	-40 to +50 (-40 to +122)	-

## Ordering information and packaging

	Diameter of inner core [mm]	Width [mm]	Length [m]	Area/roll [m <sup>2</sup> ]	Contents per box			
					Number of rolls	Tape area [m <sup>2</sup> ]	Total tape length [linear meters]	Weight (kg) (approx.)
<b>PALIMEX®-KTB 500</b>	41	50	15	0.75	27	20.25	405	12.5
		75	15	1.125	12	13.5	180	8.5

Other dimensions available on request.

## Storage

When stored in its original, unopened packaging, **PALIMEX®-KTB500** can be stored for at least 60 months after the manufacturing date.

Storage temperature: ≤ +50°C (+122°F)

Store in a dry location and do not rest anything against the front of the product.

## DEKOTEC GmbH

P.O. Box 150120 | 51344 Leverkusen | Germany  
Phone: +49 214 2602-0  
[www.dekotec.com](http://www.dekotec.com) | [info@dekotec.com](mailto:info@dekotec.com)

Our product information, our application recommendations and other product related documents are made for your convenience only. Since many installation factors are beyond our control, the user shall determine the suitability of the products for the intended use and assume all risks and liabilities in connection therewith. All information contained in this document is to be used as a guide and does not constitute a warranty of specification. The information contained in the document is subject to change without notice. For this reason, no liability can be accepted for inaccurate advice or any failure to provide advice.

The user is responsible for checking the applications of the product and verifying its suitability for the intended use. Our General Terms of Sale, which are available at [www.dekotec.com](http://www.dekotec.com), shall be decisive without any exception.

This is a translation from the original German product information. In case of any discrepancy or any dispute arising on the interpretation of this product information, the German text of the respective German product information, which is available at [www.denso-group.com](http://www.denso-group.com), shall be decisive. The legal relationship shall be governed by German law.